



UT25-30P

5,000-6,000 lbs.

Technical Specifications

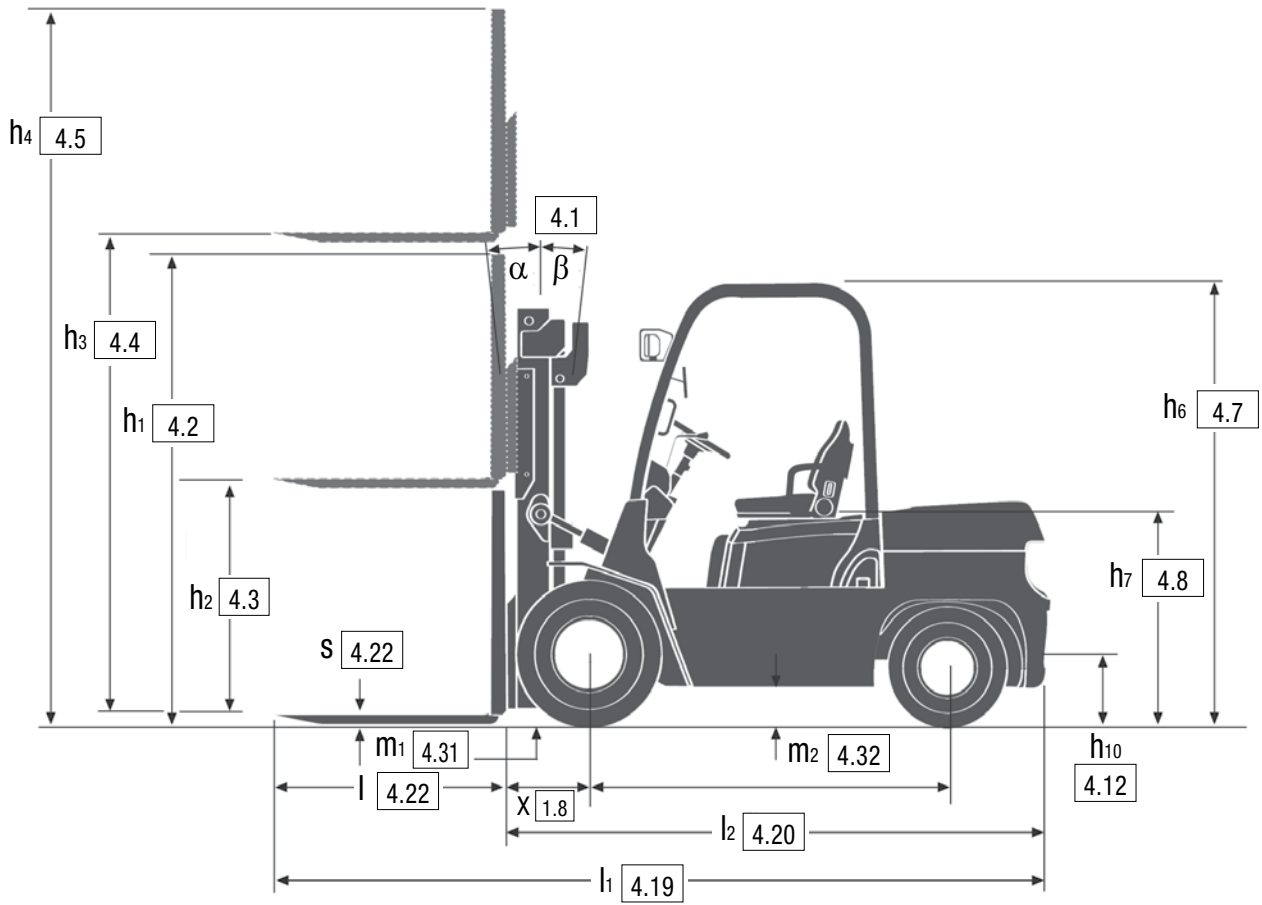
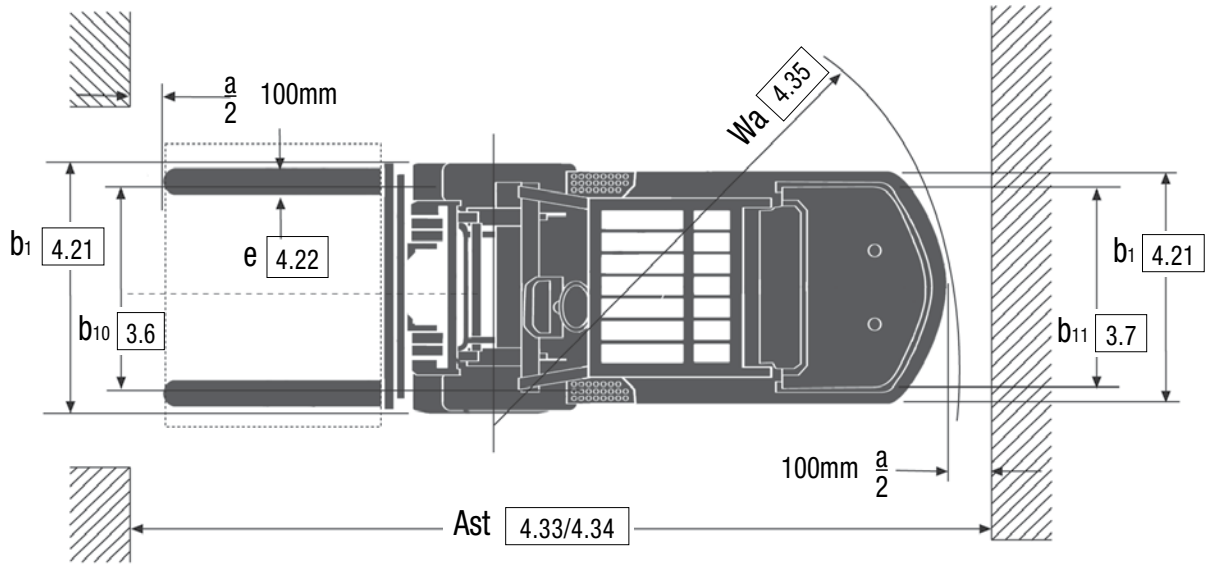


Utility you can trust™

www.utilev.com

Truck Dimensions

$A_{st} = W_a + x + l_6 + a$
 $a =$ Minimum operating clearance of 200mm
 $l_6 =$ Load length



UT25-30P Specifications

Characteristics	1.1	Manufacturer		UTILEV		UTILEV	
	1.2	Model designation		UT25P		UT30P	
	1.3	Power		LPG	Dual Fuel	LPG	Dual Fuel
	1.4	Operation		Seat		Seat	
	1.5	Load capacity	Q lb (kg)	5000 (2268)		6000 (2722)	
	1.6	Load center	c in (mm)	24 (610)		24 (610)	
	1.8	Load distance	x in (mm)	18.7 (475)		19.7 (500)	
	1.9	Wheelbase	y in (mm)	65 (1650)		69.3 (1760)	
	Weight	2.1	Unladen weight	lb (kg)	8300 (3765)		9381 (4255)
2.2		Axle loading with load front/rear	lb (kg)	12191 (5530)/1620 (735)		14286 (6480)/1664 (755)	
2.3		Axle loading without load, front/rear	lb (kg)	3439 (1560)/4861 (2205)		3891 (1765)/5489 (2490)	
Wheels and Tires	3.1	Tire Type		Pneumatic		Pneumatic	
	3.2	Tire size-front		7.00-12-12PR		28x9-15-12PR	
	3.3	Tire size-rear		6.00-9-10PR		6.50-10-10PR	
	3.5	Number of wheels, front/rear (X = driven)		2X/2		2X/2	
	3.6	Track width, front	b10 in (mm)	38.0 (965)		39.6 (1005)	
	3.7	Track width, rear	b11 in (mm)	38.2 (970.5)		38.3 (973.5)	
Dimensions	4.1	Mast tilt, forward (α) /back (β)	degrees	6 / 6		6 / 6	
	4.2	Height of mast, lowered	h1 in (mm)	87 (2210)		89 (2260)	
	4.3	Free lift (top of fork)	h2 in (mm)	60 (1528)		60 (1525)	
	4.4	Lift height (top of fork)	h3 in (mm)	188 (4800)		188 (4800)	
	4.5	Height of mast, extended (WITH LBR)	h4 in (mm)	231 (5855)		235 (5945)	
	4.7	Height to top of overhead guard OR cab	h6 in (mm)	87 (2200)		88 (2230)	
	4.8	Seat height	h7 in (mm)	40.4 (1025)		41.5 (1055)	
	4.12	Towing coupling height	h10 in (mm)	12.6 (320)		13.8 (350)	
	4.19	Overall length	l1 in (mm)	144.5 (3670)		150.4 (3820)	
	4.20	Length to face of forks	l2 in (mm)	102.4 (2600)		108.3 (2750)	
	4.21	Overall width	b1 in (mm)	45.5 (1155)		48.2 (1225)	
	4.22	Fork dimensions	s/e/l in (mm)	1.6 x 4.8 x 42 (40/122/1070)		1.8 x 4.8 x 42 (50/122/1070)	
	4.24	Fork carriage width (add 1.25" (32mm) for std. LBR)	b3 in (mm)	44 (1118)		47.5 (1200)	
	4.31	Ground clearance under mast, with rated load	m1 in (mm)	3.5 (90)		4.3 (110)	
	4.32	Ground clearance at center of wheelbase	m2 in (mm)	5.3 (135)		6.5 (165)	
	Performance	4.33b	Aisle width (add load length) with 7.9" (200mm) clearance	Ast in (mm)	114.4 (2905)		120.3 (3055)
4.35		Outer turning radius	Wa in (mm)	88.0 (2235)		93.5 (2375)	
4.36		Inner turning radius	b13 in (mm)	7.5 (190)		7.9 (200)	
5.1		Travel speed with/without rated load	MPH (km/h)	12.4 (20) / 13.0 (21)		11.2 (18) / 11.8 (19)	
5.2		Lifting speed with/without rated load	ft/min (m/sec)	110 (56) / 114 (58)		91 (46) / 98 (50)	
5.3		Lowering speed with/without rated load	ft/min (m/sec)	98 (50) / .94 (48)		98 (50) / 89 (45)	
5.5		Drawbar pull with/without load @ 1 mph	lb (kN)	3822 (17) / 2405 (10.7)		4496 (20) / 2720 (12.1)	
5.6		Maximum drawbar pull with/without load,	lb (kN)	4496 (20) / 2405 (10.7)		5171 (23) / 2720 (12.1)	
Engine	5.7	Gradeability with/without load, @ 1 mph	%	25 / 26		25 / 26	
	5.10	Service brake		Hydraulic		Hydraulic	
	7.1	Engine manufacturer/type		PSI 2.4L		PSI 2.4L	
	7.2	Engine output, in accordance with ISO1585	hp (kW)	63 (47.1)		63 (47.1)	
Other		Torque	ft lbs (N-m)@RPM	132 (179) @2000 rpm		132 (179) @2000 rpm	
	7.3	Governed speed	RPM	2800		2800	
	7.4	Number of cylinders/displacement	# / cc / CID	4 / 2351 / 143		4 / 2351 / 143	
	8.1	Drive control		Automatic		Automatic	
	8.2	Working pressure for attachments	PSI (bar)	2550 (175)		2550 (175)	
	8.3	Maximum oil flow for attachments	Gal/min (l/min)	13.2 (50)		13.2 (50)	
	8.5	Towing coupling type		Pin		Pin	
		Hydraulic Tank - capacity (drain & refill)	gal (l)	15.9 (60)		18.6 (70)	
	Fuel Tank - Capacity (Gasoline-Powered Units Only)	gal (l)	N/A	15.9 (60)	N/A	18.6 (70)	
	Step Height (from ground to running board)	in (mm)	17.3 (440)		17.9 (455)		
	Step Height (between intermediate steps between running board and floor)	in (mm)	8.3 (210)		8.3 (210)		

Specification data is based on VDI 2198, with the following configuration: Complete truck with 188" (4800mm) 3 stage full free lift mast, standard carriage and 42" (1070mm) forks, overhead guard and standard pneumatic drive and steer tires.

UT25-30P Mast Table

Model	Mast Type	Maximum Fork Height	Lowered Height	Overall Extended Height		Free Lift		Mast Tilt
				Without LBR	With LBR	Without LBR	With LBR	Forward/Back
				in (mm)	in (mm)	in (mm)	in (mm)	(deg)
UT25P	3 Stage FFL	188 (4800)	87 (2210)	217 (5492)	231 (5855)	60 (1528)	45 (1165)	6/6
UT30P	3 Stage FFL	188 (4800)	89 (2260)	219 (5550)	235 (5645)	60 (1525)	44 (1130)	6/6

UT25-30P Capacity Table

Capacity with a 24" (610mm) load center in pounds (kg)

Model	Mast Type	Maximum Fork Height in (mm)	Pneumatic Tires	
			Standard Carriage	Integral Sideshift
UT25P	3 Stage FFL	188 (4800)	3900 (1769)	3700 (1678)
UT30P	3 Stage FFL	188 (4800)	5000 (2268)	4800 (2177)

Overview

Utility you can trust.

The UTILEV® range of affordable forklift trucks delivers reliable and cost-effective materials handling solutions for applications across many industries, particularly where users require equipment without advanced functionality or attachments.

The product range has been designed to be easy to operate and maintain, and is backed up by a standard limited warranty and comprehensive parts availability. (Subject to UTILEV® warranty terms.)

Furthermore, a network of experienced distributors is on-hand to provide maintenance and support, whenever it is required.

Simple to Use

The ergonomically designed operator compartment, with a familiar automotive layout means that

drivers will be able to work comfortably, to aid in preventing tiredness during handling operations.

A range of standard features and options help to ensure that the truck is configured to the needs of the application.

Easy to Maintain

Thanks to the simplicity of the components and specification, servicing can be carried out quickly and easily.

Affordable to Own

The use of high quality, robust components, efficient filtration and excellent cooling helps contribute to reliable operation and lower wear and tear. This — together with the fast availability of cost-effective replacement parts — helps to reduce service and maintenance requirements and costs.

Standard Features

UT25P - PSI 2.4L LPG / Dual-Fuel	Key Switch Start
UT30P - PSI 2.4L LPG / Dual-Fuel	Dash Display: Gauges for Fuel Level (Gas), Transmission Temperature, and LCD Hour Meter. Indicator lights for Low Battery Voltage, Low Oil Pressure and High Engine Temperature.
Transmission: Powershift, 1-Speed	
Mast: 3 stage FFL 188" (4800mm)	
Carriage: UT25P - 44" (1118mm) Class II	Entry Grab Handle
UT30P - 47.5" (1200mm) Class III	Rear View Mirrors
Forks: UT25P - 1.6 x 4.8 x 42" (40 x 122 x 1070mm) Class II	Load Backrest
UT30P - 1.8 x 4.8 x 42" (50 x 122 x 1070mm) Class III	Mast Tilt - 6° Forward / 6° Back
Pneumatic Tires Drive 7.00-12-12PR or 28x9-15-12PR	Light Kit - 2 x Front Work, 2 x Front Turn, Rear Turn, Tail/Brake/Reverse
Pneumatic Tires Steer 6.00-9-10PR or 6.50-10-10PR	Counterweight Exhaust
Three Function Cowl Mounted Manual Lever	Radiator with Integral Transmission Oil Cooler
Forward / Reverse Directional Lever	Cyclonic Air Filter
Manual Park Brake	Fixed Tank Bracket (LPG Trucks)
Three Pedal Layout with Mechanical Inching	Towing Pin
Non-suspension Seat (Vinyl) with Seat Belt	Operator Manual
Steering Wheel with Spinning Knob	12 Months / 2000 Hours Manufacturer's Warranty
Power Steering and Tilt Adjustable Steering Column	

Options

Overhead Exhaust
Forks: 48" (1220mm)
Integral Sideshift
1 Aux Hose Group
Cab with Heater
Full Suspension Seat
Pneumatic Shaped Solid Tires
Non-marking Pneumatic Shaped Solid Tires
Strobe Light (magnetically mounted)
Rear Work Light
Audible Reverse Alarm
Special Paint: Pantone 17-1463 Orange

UTILEV®
THE UTILITY
LIFT TRUCK™

These trucks conform to current legislative requirements.

Specification is subject to change without notice.

Trucks shown with optional equipment.

Publication part no. U00003-NA 8-2015

© 2015. All rights reserved.

UTILEV is a Registered Trademark.

THE UTILITY LIFT TRUCK and UTILITY YOU CAN TRUST are trademarks in the United States and certain other jurisdictions.

For more information, contact us by email: inquiries@utilev.com