



## UT15-20PTE

3,000-4,000 lbs.



Utility you can trust.™

[www.utilev.com](http://www.utilev.com)

# UT15-20PTE Specifications

Characteristics	1.1	Manufacturer		UTILEV	UTILEV	UTILEV	
	1.2	Model designation		UT15PTE	UT18PTE	UT20PTE	
	1.3	Power: Battery		Battery	Battery	Battery	
	1.4	Operation: manual, pedestrian, stand, seat, orderpicker		Seat	Seat	Seat	
	1.5	Base Load capacity	Q lb (kg)	3000 (1361)	3500 (1588)	4000 (1814)	
	1.6	Load center	c in (mm)	24 (610)	24 (610)	24 (610)	
	1.8	Load distance	x in (mm)	14 (355)	14 (355)	14 (355)	
	1.9	Wheelbase	y in (mm)	49.2 (1250)	53.5 (1358)	57.7 (1465)	
	Weights	2.1	Unladen weight (max. battery)	lb (kg)	6504 (2950)	6790 (3080)	7430 (3370)
2.2		Axle loading, with load front/rear (max. battery)	lb (kg)	8609 (3905)/1202 (545)	9469 (4295)/1290 (585)	10648 (4830)/1190 (540)	
2.3		Axle loading, without load front/rear (max. battery)	lb (kg)	2983 (1353)/3521 (1597)	3666 (1663)/3124 (1417)	3589 (1628)/3840 (1742)	
Wheels and Tires	3.1	Tires: L=pneumatic, V=cushion, PSS=Pneumatic Shaped Solid		PSS	PSS	PSS	
	3.2	Tire size, front		18x7 - 8	18x7 - 8	200/50 - 10	
	3.3	Tire size, rear		15x4.5 - 8	15x4.5 - 8	15x4.5 - 8	
	3.5	Number of wheels, front/rear (X = driven)		2x/2	2x/2	2x/2	
	3.6	Track width, front	b10 in (mm)	35.5 (902)	35.5 (902)	35.5 (902)	
	3.7	Track width, rear	b11 in (mm)	6.9 (175)	6.9 (175)	6.9 (175)	
	Dimensions	4.1	Mast tilt, forward a /back b	degrees	6/6	6/6	6/6
4.2		Height of mast, lowered	h1 in (mm)	85 (2145)	85 (2145)	85 (2145)	
4.3		Free lift (top of fork)	h2 in (mm)	5 (145)	5 (145)	5 (145)	
4.4		Lift height (top of fork)	h3 in (mm)	129 (3300)	129 (3300)	129 (3300)	
4.5		Height of mast, extended (with LBR)	h4 in (mm)	168 (4245)	168 (4245)	168 (4245)	
4.7		Height to top of overhead guard	h6 in (mm)	83.5 (2120)	83.5 (2120)	83.5 (2120)	
4.8		Seat height	h7 in (mm)	36.6 (930)	36.6 (930)	36.6 (930)	
4.12		Towing coupling height	h10 in (mm)	18.6 (473)	18.6 (473)	18.6 (473)	
4.19		Overall length	l1 in (mm)	112.7 (2862)	116.9 (2970)	121.3 (3082)	
4.20		Length to face of forks	l2 in (mm)	70.6 (1792)	74.8 (1900)	79.2 (2012)	
4.21		Overall width	b1 in (mm)	41.7 (1060)	41.7 (1060)	41.7 (1060)	
4.22		Fork dimensions	s/e/l in (mm)	1.6 x 3.9 x 42 (40/100/1070)	1.6 x 3.9 x 42 (40/100/1070)	1.6 x 3.9 x 42 (40/100/1070)	
4.24		Fork carriage width	b3 in (mm)	39.4 (1000)	39.4 (1000)	39.4 (1000)	
4.31		Ground clearance below mast, with rated load	m1 in (mm)	3.3 (85)	3.3 (85)	3.1 (80)	
4.32		Ground clearance at center of wheelbase	m2 in (mm)	3.5 (90)	3.5 (90)	3.5 (90)	
4.33b		Aisle width (add load length) with 7.9" (200mm) clearance	Ast in (mm)	85.1 (2161)	89.3 (2269)	93.7 (2379)	
4.35		Outer turning radius	Wa in (mm)	56.7 (1440)	60.9 (1548)	65.3 (1658)	
4.36	Inner turning radius	b13 in (mm)	23.0 (585)	23.0 (585)	23.0 (585)		
Performance	5.1	Travel speed with/without rated load	MPH (km/h)	8.7 (14)/8.7 (14)	8.7 (14)/8.7 (14)	8.1 (13)/8.1 (13)	
	5.2	Lifting speed with/without rated load	ft/min (m/s)	57 (0.29)/87 (0.44)	57 (0.29)/87 (0.44)	49 (0.25)/79 (0.40)	
	5.3	Lowering speed with/without rated load	ft/min (m/s)	85 (0.43)/83 (0.42)	91 (0.46)/85 (0.43)	94 (0.48)/91 (0.46)	
	5.5	Drawbar pull with/without load, 60 minute rating	lbf (N)	1574 (7000)/1630 (7250)	1798 (8000)/8300 (1866)	2023 (9000)/2091 (9300)	
	5.6	Maximum drawbar pull with/without load, 5 minute rating	lbf (N)	1574 (7000)	1798 (8000)	2023 (9000)	
	5.7	Gradeability with/without load, 30 minute rating	%	14/15	13/14	11/12	
	5.8	Maximum gradeability with/without load, 5 minute rating	%	20/20	20/20	15/18	
	5.10	Service brake		Hydraulic	Hydraulic	Hydraulic	
	Electric		Battery type		Lead Acid	Lead Acid	Lead Acid
			Battery voltage		48	48	48
6.1		Drive Motor Rating, S2, 60min	(kW)	2 x 4.6	2 x 4.6	2 x 4.6	
6.2		Lifting motor, S3 15% rating	(kW)	8.6	8.6	8.6	
Other	8.1	Drive control		MOSFET/AC	MOSFET/AC	MOSFET/AC	
	8.2	Working pressure for attachments	PSI (bar)	2103 (145)	2103 (145)	2103 (145)	
	8.3	Maximum oil flow for attachments	Gal/min (l/min)	17.7 (65)	17.7 (65)	17.7 (65)	
	8.5	Towing coupling, type DIN		Pin	Pin	Pin	
		Hydraulic Tank - capacity (drain & refill)	gal (l)	4.8 (18)	5.6 (21)	6.3 (24)	
		Step Height (from ground to running board)	in (mm)	16.5 (420)	16.5 (420)	16.5 (420)	
	Step height (between intermediate steps between running board and floor)	in (mm)	4.2 (106)	4.2 (106)	4.2 (106)		

**Specification data is based on VDI 2198, with the following configuration:** Complete truck with 129" (3300mm) 2-stage limited free lift mast, standard carriage and 42" (1070mm) forks, overhead guard and pneumatic shaped solid drive and steer tires.

## UT15-20PTE Mast Table

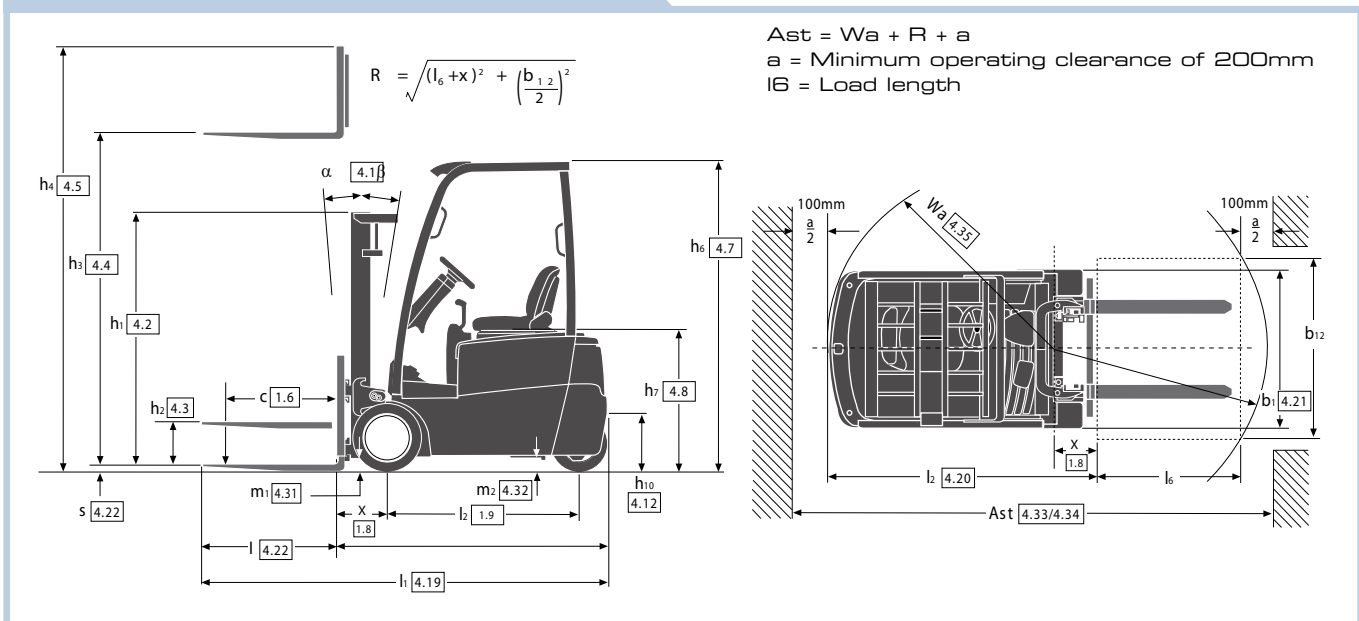
Mast Type	Maximum Fork Height in (mm)	Lowered Height in (mm)	Overall Extended Height		Free Lift		Mast tilt Forward/Back (deg)
			Without LBR in (mm)	With LBR in (mm)	Without LBR in (mm)	With LBR in (mm)	
2 Stage LFL	129 (3300)	85 (2145)	153 (3865)	168 (4245)	5 (145)	5 (145)	6 / 6
3 Stage FFL	188 (3300)	86 (2175)	212 (5375)	227 (5755)	63 (1610)	49 (1265)	3.5 / 5

## UT15-20PTE Capacity Table

Capacity with a 24" (610mm) load center in lbs (kg)

Mast Type	Maximum Fork Height in (mm)	Standard Carriage			Integral Sideshift		
		UT15PTE	UT18PTE	UT20PTE	UT15PTE	UT18PTE	UT20PTE
2 Stage LFL	129 (3300)	3000 (1361)	3500 (1588)	4000 (1814)	2600 (1179)	3200 (1451)	3600 (1633)
3 Stage FFL	188 (4800)	2400 (1089)	3000 (1361)	3100 (1406)	2000 (907)	2600 (1179)	2700 (1225)

## Truck Dimensions



Contact your local UTILEV® distributor for Approved Batteries.

## Overview

### Utility you can trust

The UTILEV® range of affordable forklift trucks delivers reliable and cost-effective materials handling solutions for applications across many industries, particularly where users require equipment without advanced functionality or attachments.

The product range has been designed to be easy to operate and maintain, and is backed up by a standard warranty and comprehensive parts availability.

Furthermore, a network of experienced distributors is on-hand to provide maintenance and support, whenever it is required.

### Simple to Use

The ergonomically designed operator compartment, with a familiar automotive layout means that drivers will be able to work comfortably and with less fatigue.

A range of standard features and options help to ensure that the truck is configured to the needs of the application.

### Easy to Maintain

Thanks to the simplicity of the components and specification, servicing can be carried out quickly and easily, even when PCs, laptops or diagnostic tools are not available.

### Affordable to Own

The use of proven, high quality, robust components, AC Technology, oil-immersed brakes and efficient hydraulics result in reliable operation and lower wear and tear.

This — together with the fast availability of cost-effective replacement parts — helps to reduce service and maintenance requirements and costs.

## Standard Features

Standard Features Include:	
48 Volt Electric System	Pneumatic Shaped Solid (PSS) Tires
2 Stage LFL Mast 85"/129"/5" with 6° Forward, 6° Back Tilt	Non Suspension Vinyl Seat
39.4" (1000mm) Class II Hook type Carriage	Retractable Seatbelt
3.9" x 1.6" x 42" (100x40x1070) Class 2 Forks	Adjustable Tilt Steer Column
Overhead Guard	Steering wheel with Spinner Knob
Load Backrest	Rear View Mirror
AC Motors	Key Switch Start
Wet Disc Brakes	DC to DC Converter (48 to 24 volt)
LCD Display	Lights (24 volt):
Power steering	- 2 Front Work Lights
3 function manual hydraulic levers	- 2 Front Turn Signals
Steer Column Mounted Direction Control	- 2 Rear Combination Lights Brake, Tail, Turn Signal & Reverse
Manual park brake	12 Month / 2000 Hour Manufacturer's Warranty
Power Disconnect - Dash Mounted Button	Operator manual

## Options

Options Include:
3 Stage FFL Mast 86"/188"/63" with 3.5° Forward, 5° Back Tilt
39.4" (1000mm) Class II ISS Carriage
3.9" x 1.6" x 48" (100x40x1220) Class 2 Forks
1 Auxiliary Hose Group Internal Mounted
Non Marking PSS Tires
Full Suspension Vinyl Seat
Rear Work Light
Audible Alarm - Reverse Operation
Visible Alarm - Key Switch Operation



These trucks conform to current legislative requirements. Specification is subject to change without notice. Trucks shown with optional equipment. Publication part no. U00003-PTE Rev.1

© 2013. All rights reserved.

UTILEV is a Registered Trademark.

THE UTILITY LIFT TRUCK and UTILITY YOU CAN TRUST are trademarks in the United States and certain other jurisdictions.

For more information, contact us by email: [inquiries@utilev.com](mailto:inquiries@utilev.com)