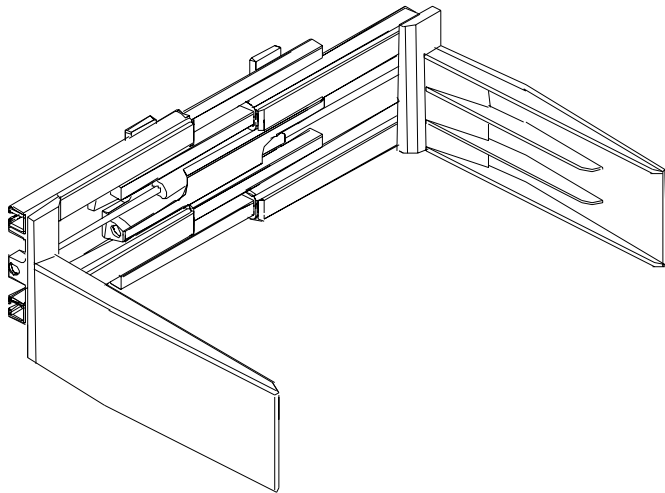


BALE CLAMPS - 19" TO 91.8" RANGE

MODEL L50A



FEATURES:

- * All-welded frame with solid slide bars
- * Full-length nylon bushings
- * Bolt-on bale arms
- * Self-aligning cylinder end bearings
- * Valve assembly includes pressure relief and flow divider
- * Quick-disconnect lower hooks

CAPACITY LBS. @ 24" LOAD CENTER	ARM SIZE (H X L)	MAX ARM THICKNESS	CATALOG NUMBER	OPENING RANGE	FRAME WIDTH	LOST LOAD THICKNESS	HORIZONTAL CENTER OF GRAVITY	VERTICAL CENTER OF GRAVITY	ITACARRIAGE MOUNTING CLASS	WEIGHT (LBS.)
SIDE SHIFTING										
5,000	18" x 27"	3.1"	L50A-BCS2-1827	19" - 91.8"	63"	5.6"	6.8"	9.3"	II	1,210
5,000	18" x 31"	3.1"	L50A-BCS2-1831	19" - 91.8"	63"	5.6"	7.7"	9.1"	II	1,260
5,000	18" x 36"	3.1"	L50A-BCS2-1836	19" - 91.8"	63"	5.6"	8.2"	8.8"	II	1,305
5,000	18" x 39"	3.1"	L50A-BCS2-1839	19" - 91.8"	63"	5.6"	8.9"	8.7"	II	1,340
5,000	18" x 47"	3.1"	L50A-BCS2-1847	19" - 91.8"	63"	5.6"	9.8"	8.3"	II	1,430
NON-SIDE SHIFTING										
5,000	18" x 27"	3.1"	L50A-BCN2-1827	19" - 91.8"	63"	5.6"	6.8"	9.3"	II	1,210
5,000	18" x 31"	3.1"	L50A-BCN2-1831	19" - 91.8"	63"	5.6"	7.7"	9.1"	II	1,260
5,000	18" x 36"	3.1"	L50A-BCN2-1836	19" - 91.8"	63"	5.6"	8.2"	8.8"	II	1,305
5,000	18" x 39"	3.1"	L50A-BCN2-1839	19" - 91.8"	63"	5.6"	8.9"	8.7"	II	1,340
5,000	18" x 47"	3.1"	L50A-BCN2-1847	19" - 91.8"	63"	5.6"	9.8"	8.3"	II	1,430

NOTES:

- All ranges are measured at the tip of the arms.
- Class III mounting available at no extra charge.
- Recommended hydraulic flow 6 - 10 GPM.
- Recommended working pressure 2,000 - 2,500 PSI.
- Other sizes available, please consult factory.

OPTIONS:

- 48" high load backrest.