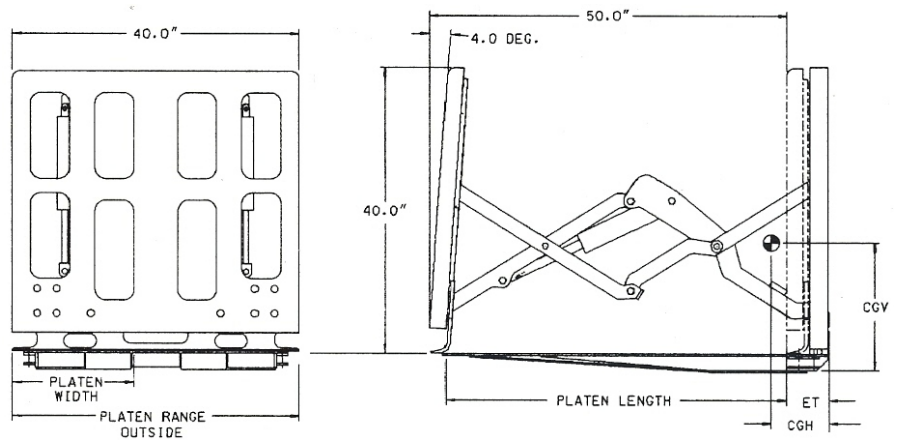


SPECIFICATIONS:

LORON

FORK MOUNT PUSH PULLS



L35B “Fork Mount” Push Pull

Catalog No.	Capacity LBS. @ 24” L.C.	Platen Size (W X L)	Overall Platen Width	Mounting Class	Lost Load Thickness	Horizontal Center of Gravity	Vertical Center of Gravity	Weight (LBS.)
L35B-PPF-1448	3,500	14" x 48"	34"	Fork Mount	7.7"	10.8"	12.8"	865
L35B-PPF-1748	3,500	17" x 48"	40"	Fork Mount	7.7"	11.0"	12.6"	880
L35B-PPF-1442	3,500	14" x 42"	34"	Fork Mount	7.7"	10.1"	13.0"	850
L35B-PPF-1742	3,500	17" x 42"	40"	Fork Mount	7.7"	10.4"	12.8"	870

L45B “Fork Mount” Push Pull

Catalog No.	Capacity LBS. @ 24” L.C.	Platen Size (W X L)	Overall Platen Width	Mounting Class	Lost Load Thickness	Horizontal Center of Gravity	Vertical Center of Gravity	Weight (LBS.)
L45B-PPF-1448	4,500	14" x 48"	34"	Fork Mount	7.7"	10.6"	12.9"	875
L45B-PPF-1748	4,500	17" x 48"	40"	Fork Mount	7.7"	10.9"	12.7"	900
L45B-PPF-1442	4,500	14" x 42"	34"	Fork Mount	7.7"	10.0"	13.1"	860
L45B-PPF-1742	4,500	17" x 42"	40"	Fork Mount	7.7"	10.3"	12.9"	880

Notes:

- 40" x 40" push rack is standard
- Recommended hydraulic flow 5 – 10 GPM.
- Recommended working pressure 2,000 – 2,500 PSI.
- Other sizes available. Please consult factory
- Fork mount push pulls require forks to be 1.5" to 2.0" in thickness & 4.0" to 6.0" in width.



**425 Hazel Street
Kelso, WA 98626
(800) 248-6079 Phone
(360) 578-9934 Fax**