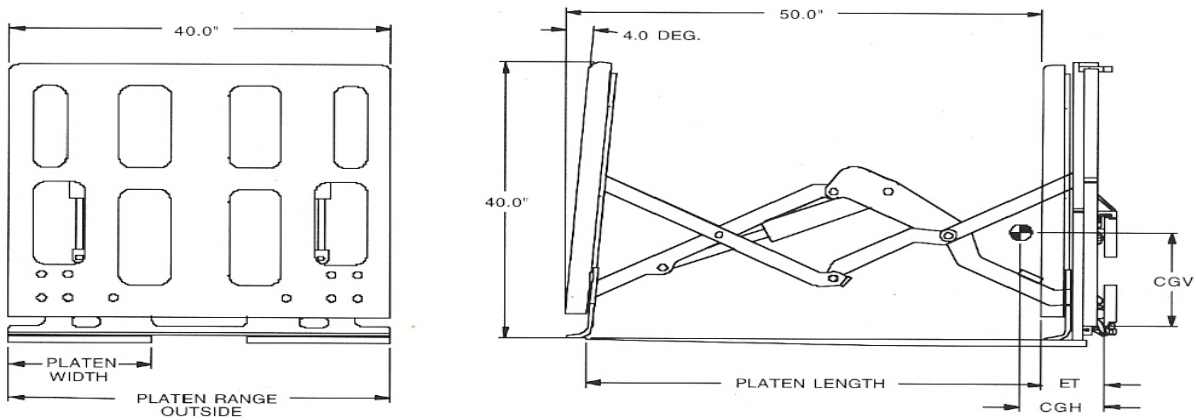


SPECIFICATIONS:



L35B & L45B Side Shifting Dedicated Push Pull

Catalog No.	Capacity LBS. @ 24" L.C.	Platen Size (W X L)	Overall Platen Width	Mounting Class	Lost Load Thickness	Horizontal Center of Gravity	Vertical Center of Gravity	Weight (LBS.)
L35B-PPS-1548	3,500	15" x 48"	34" - 42"	II	6.2"	8.1"	9.4"	1,170
L35B-PPS-1848	3,500	18" x 48"	40" - 48"	II	6.2"	8.8"	9.2"	1,210
L45B-PPS-1548	4,500	15" x 48"	34" - 42"	II	6.5"	8.2"	9.2"	1,215
L45B-PPS-1848	4,500	18" x 48"	40" - 48"	II	6.5"	9.0"	8.7"	1,260

L35B & L45B Non-Side Shifting Dedicated Push Pull

Catalog No.	Capacity LBS. @ 24" L.C.	Platen Size (W X L)	Overall Platen Width	Mounting Class	Lost Load Thickness	Horizontal Center of Gravity	Vertical Center of Gravity	Weight (LBS.)
L35B-PPN-1548	3,500	15" x 48"	34" - 42"	II	6.2"	8.1"	9.3"	1,165
L35B-PPN-1848	3,500	18" x 48"	40" - 48"	II	6.2"	8.8"	9.0"	1,205
L45B-PPN-1548	4,500	15" x 48"	34" - 42"	II	6.5"	8.2"	9.3"	1,205
L45B-PPN-1848	4,500	18" x 48"	40" - 48"	II	6.5"	9.0"	8.5"	1,250

Notes:

- Class III mounting available.
- Recommended hydraulic flow 5 – 10 GPM.
- Recommended working pressure 2,000 – 2,500 PSI.
- Other sizes available. Please consult factory



425 Hazel Street
Kelso, WA 98626
(800) 248-6079 Phone
(360) 578-9934 Fax