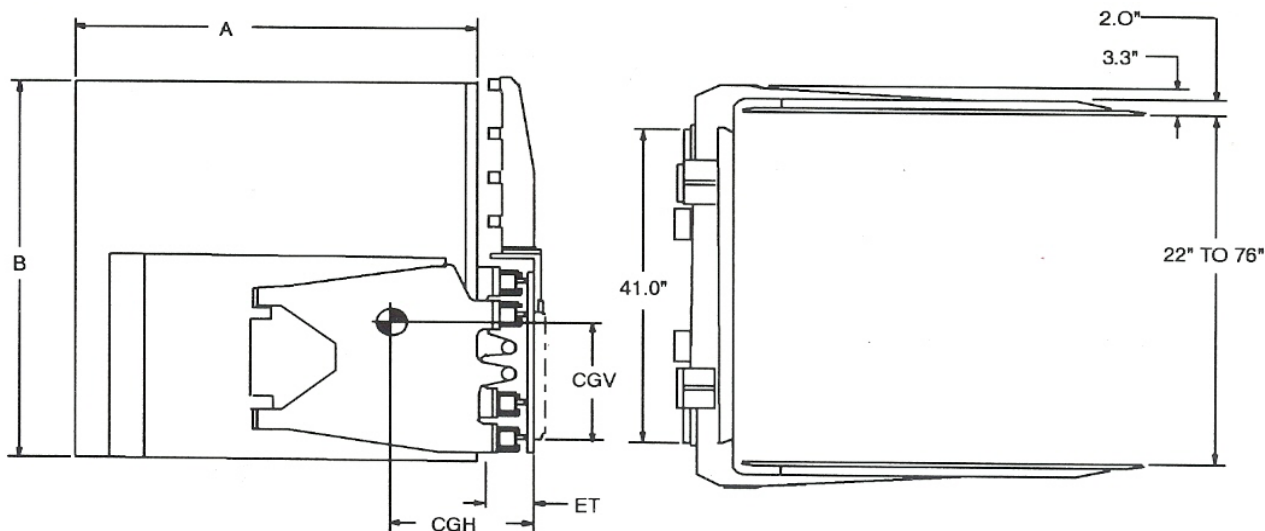


SPECIFICATIONS:



L20A Specifications (other sizes available)

Catalog No.	Capacity LBS. @ 24" L.C.	Arm Height	Arm Length	Clamp Opening Range	Mounting Class	Lost Load Thickness	Horizontal Center of Gravity	Vertical Center of Gravity	Weight (LBS.)
L20A-CCS-4830	2,000	48.0"	30.0"	22" - 76"	II	4.9"	12.6"	12.5"	1,395
L20A-CCS-4840	2,000	48.0"	40.0"	22" - 76"	II	4.9"	12.8"	12.7"	1,430
L20A-CCS-4842	2,000	48.0"	42.0"	22" - 76"	II	4.9"	13.1"	12.9"	1,455
L20A-CCS-4846	2,000	48.0"	46.0"	22" - 76"	II	4.9"	14.5"	13.1"	1,475
L20A-CCS-4848	2,000	48.0"	48.0"	22" - 76"	II	4.9"	14.9"	13.3"	1,485
L20A-CCS-4852	2,000	48.0"	52.0"	22" - 76"	II	4.9"	15.1"	13.5"	1,495
L20A-CCS-4854	2,000	48.0"	54.0"	22" - 76"	II	4.9"	15.3"	13.6"	1,510

L35A Specifications (other sizes available)

L35A-CCS-4830	3,500	48.0"	30.0"	22" - 76"	II	5.8"	14.7"	12.4"	1,615
L35A-CCS-4840	3,500	48.0"	40.0"	22" - 76"	II	5.8"	14.8"	12.6"	1,650
L35A-CCS-4842	3,500	48.0"	42.0"	22" - 76"	II	5.8"	15.1"	12.8"	1,680
L35A-CCS-4846	3,500	48.0"	46.0"	22" - 76"	II	5.8"	15.7"	13.0"	1,705
L35A-CCS-4848	3,500	48.0"	48.0"	22" - 76"	II	5.8"	15.9"	13.2"	1,720
L35A-CCS-4852	3,500	48.0"	52.0"	22" - 76"	II	5.8"	16.1"	13.4"	1,735
L35A-CCS-4854	3,500	48.0"	54.0"	22" - 76"	II	5.8"	16.2"	13.5"	1,760

Notes:

- Class III mounting available at no additional charge.
- Recommended hydraulic flow 6 – 8 GPM.
- Recommended working pressure 1,700 – 2,500 PSI.
- Other sizes available. Please consult factory.

LORON

425 Hazel Street
 Kelso, WA 98626
 (800) 248-6079 Phone
 (360) 578-9934 Fax